

## MTM102-SC-L



**Modelo:102-SC-L** : Ideal para Metro, Ferrocarril, Carretera, Marina, Minería, Túneles, Planta de Acero, Planta Química, Planta de energía y aplicaciones industriales relacionadas, etc.

### CARACTERISTICAS

- Teléfono analógico estándar
- Construcción robusta, resistente al vandalismo
- Protección IP67 para todo tipo de clima
- Fijaciones resistentes a las manipulaciones
- Boton marcado rapido
- Instalación sencilla
- Conexión rápida de los terminales
- Programable para marcación rápida (PPT)
- Puede ser programado remotamente por el teléfono del tono
- Memoria no volátil
- Línea telefónica alimentada
- CE, compatible con FCC

### ESPECIFICACIONES TECNICAS

#### Temperatura

Funcionamiento: -30°C a +65°C  
Almacenamiento: -40°C a +75°C

#### Tono de llamada

Sonoridad de 80 dBA @ 1 metro

### PAQUETE

Tamaño de la unidad: 339\*246\*126 (mm)  
Tamaño del carton: 200\*300\*440 (mm )  
Materiales de embalaje: algodón perlado, cartón  
Peso Neto: 6KG  
Peso bruto: 7KG



**102-SC-L (Analog model)**

**102-SC-L (SIP/VoIP model)**

**102-SC-L (GSM model)**

## MTM102-SC-L

### TECHNICAL SPECIFICATIONS

#### Casing Material

Die cast aluminium body, cold rolled steel  
paceplate epoxy powder coated

#### Colors

yellow, other colors to special order

#### Handset Material

No handset

#### Keypad

No Keypad

#### Temperature

Operating: -30°C to +65°C

Storing: -40°C to +75°C

#### Weather Resistance

IP67

#### Ringling Tone

Shrill warble tone 90 dBA @ 1 metre  
typical

#### Hook switch

No hook switch

#### Push button

Vandal resistant stainless steel button

#### M.T.B.F.

Calculated to have an M.T.B.F. in excess  
of 50,000 hours using

#### Weight

Up to 6 kg depending on option

### ANALOGUE

#### Dialing

MF (tone)

#### Power supply

Drawn from telephone line

#### Lightning / Transients

Protection to ITU-T k.21 enhanced levels

#### Programming

Can be programmed remotely by DTMF  
tone or build-in keypad

### SIP-VoIP TECHNICAL SPECIFICATIONS

#### Adapter Input:

100-240VAC 50~60Hz Output:5V/1A

#### Port:

WAN:10/100Base- T RJ-45 for LAN, Auto MDIX

LAN:10/100Base- T RJ-45 for PC, Auto MDIX

#### Power Consumption:

Idle:1.5W/ Active:1.8W

#### Main Chip:

Broadcom

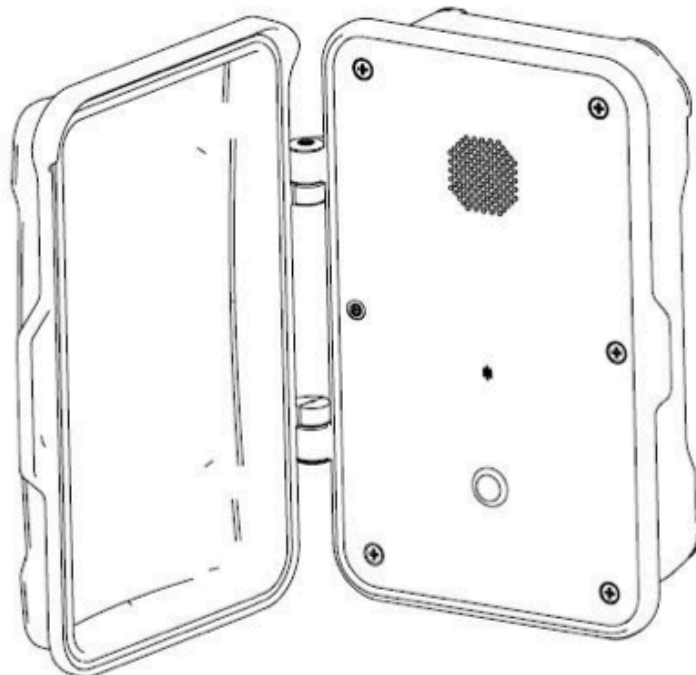
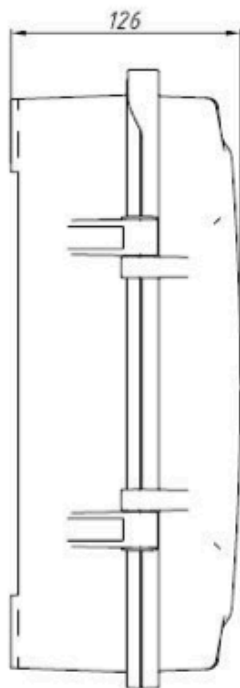
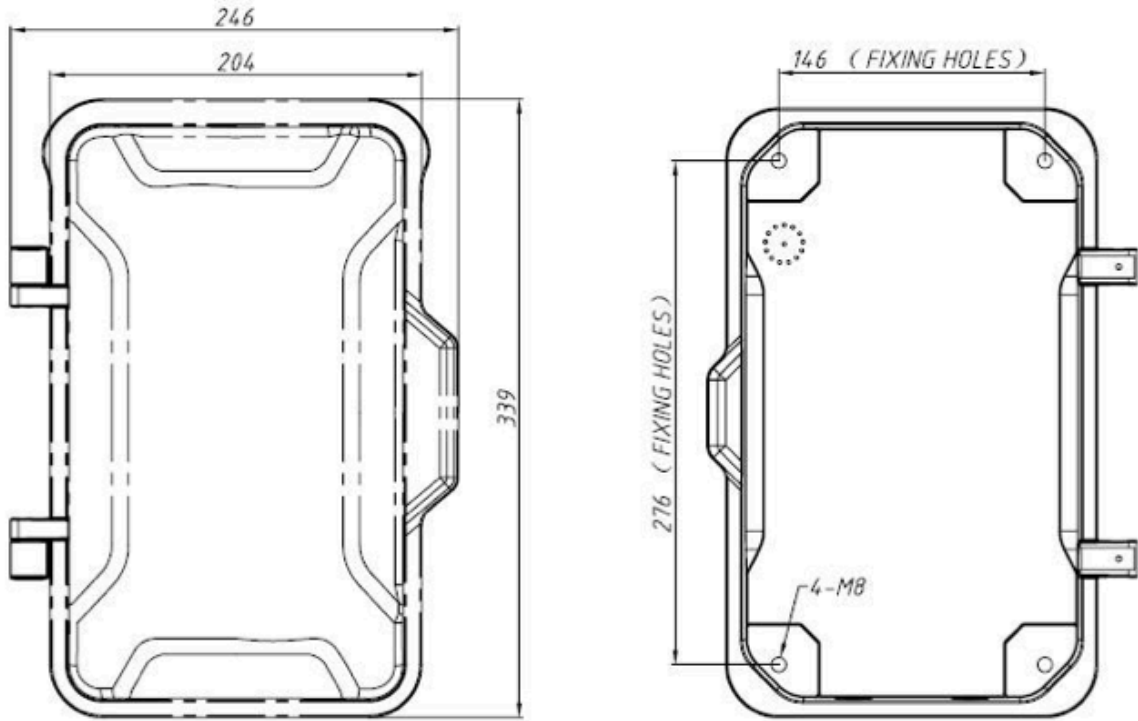
#### Voice Features

- Support 2 lines SIP, SIP 2.0 (RFC3261)
- Codec: G.711A/u, G.7231 high/low, G.729, G.722,G.726
- Echo cancellation: Support G.168 and hand-free can support 96ms
- Supports full duplex.
- SIP support SIP domain,SIP authentication(none, basic,MD5),DNS name of server, peer to peer
- SIP support 2 servers, user can through each server to calling in and out

#### Network Features

- WAN/LAN: support Bridge mode
- Support PPPoE for xDSL
- Support VLAN
- Support Stun penetration
- Support DHCP get IP on WAN port

## MTM102-SC-L



*(Measured in mm)*